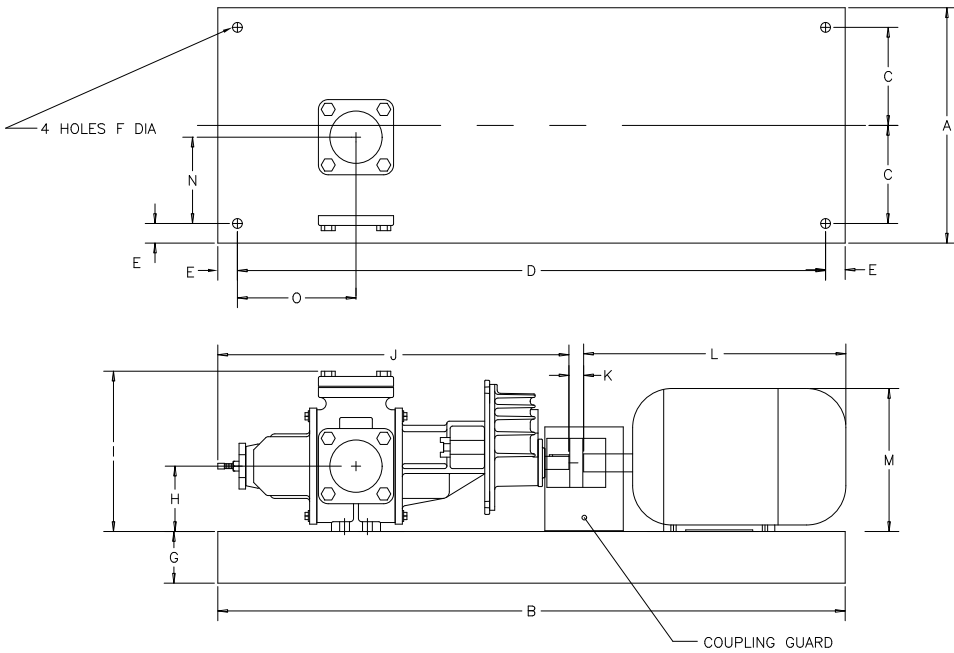


RANGER SERIES 229P - 229M GBFRV  
BASE MOUNTED PUMPS

80-011228



ALL DIMENSIONS ARE IN INCHES

PUMP SIZE	BASE NO.	MOTOR FRAME	A	B	C	D	E	F	G	H	I	J	K	L	M	N	O	BASE, CPLG GRD WT LB
22	C2	182T	18.00	48.00	7.50	45.00	1.50	0.75	4.00	5.00	12.13	27.00	1.13	15.19	9.38	6.00	11.38	175
22	C2	184T	18.00	48.00	7.50	45.00	1.50	0.75	4.00	5.00	12.13	27.00	1.13	16.19	9.38	6.00	11.38	175
22	C2	213T	18.00	48.00	7.50	45.00	1.50	0.75	4.00	5.00	12.13	27.00	1.13	18.56	10.94	6.00	9.75	175
22	C2	215T	18.00	48.00	7.50	45.00	1.50	0.75	4.00	5.00	12.13	27.00	1.13	18.56	10.94	6.00	9.00	175
22	C2	254T	18.00	48.00	7.50	45.00	1.50	0.75	4.00	5.00	12.13	27.00	1.13	23.25	12.94	5.50	7.50	175
22	C2	256T	18.00	48.00	7.50	45.00	1.50	0.75	4.00	5.00	12.13	27.00	1.13	25.00	12.94	5.50	6.00	175

CUSTOMER \_\_\_\_\_ PURCHASE ORDER NO. \_\_\_\_\_ SERVICE \_\_\_\_\_

PUMP SIZE \_\_\_\_\_ MATERIAL \_\_\_\_\_ ITEM \_\_\_\_\_

GPM \_\_\_\_\_ P.S.I. \_\_\_\_\_ RPM \_\_\_\_\_ MARKS \_\_\_\_\_

MOTOR MANUFACTURER \_\_\_\_\_ ENCLOSURE \_\_\_\_\_ MOTOR FEATURES \_\_\_\_\_

HP \_\_\_\_\_ VOLTS \_\_\_\_\_ PHASE \_\_\_\_\_ HERTZ \_\_\_\_\_

BY \_\_\_\_\_ DATE \_\_\_\_\_ CERTIFIED FOR  APPROVAL  CONSTRUCTION