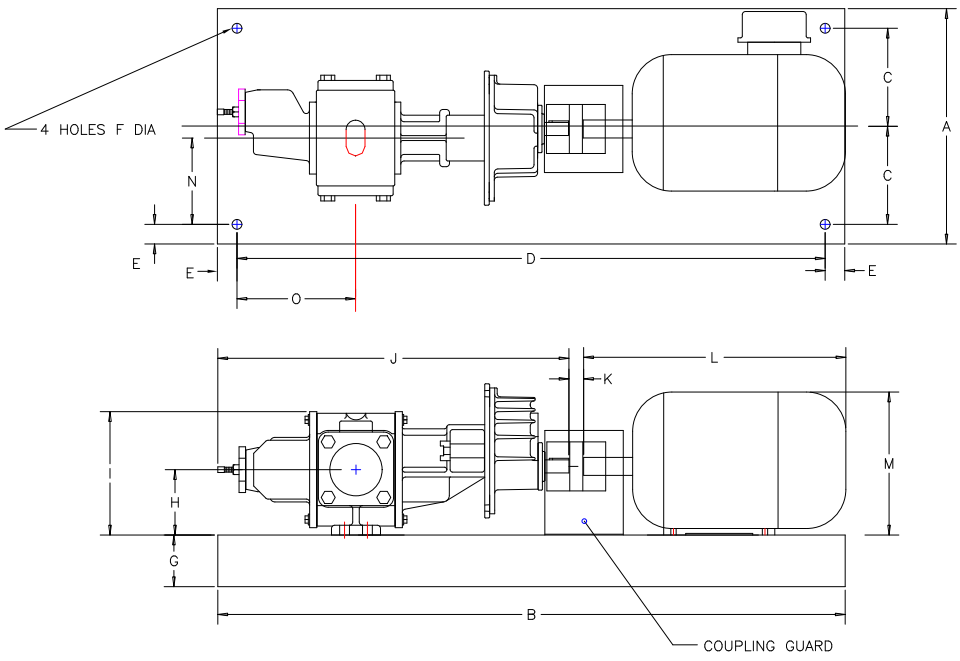


RANGER SERIES 228P – 228M GBFRV BASE MOUNTED PUMPS



ALL DIMENSIONS ARE IN INCHES

PUMP SIZE	BASE NO.	MOTOR FRAME	A	B	C	D	E	F	G	H	I	J	K	L	M	N	O	BASE, CPLG GRD WT LB
22	C2	182T	18.00	48.00	7.50	45.00	1.50	0.75	4.00	5.00	9.44	27.00	1.13	15.19	9.38	6.00	11.38	175
22	C2	184T	18.00	48.00	7.50	45.00	1.50	0.75	4.00	5.00	9.44	27.00	1.13	16.19	9.38	6.00	11.38	175
22	C2	213T	18.00	48.00	7.50	45.00	1.50	0.75	4.00	5.00	9.44	27.00	1.13	18.56	10.94	6.00	9.75	175
22	C2	215T	18.00	48.00	7.50	45.00	1.50	0.75	4.00	5.00	9.44	27.00	1.13	18.56	10.94	6.00	9.00	175
22	C2	254T	18.00	48.00	7.50	45.00	1.50	0.75	4.00	5.00	9.44	27.00	1.13	23.25	12.94	5.50	7.50	175
22	C2	256T	18.00	48.00	7.50	45.00	1.50	0.75	4.00	5.00	9.44	27.00	1.13	25.00	12.94	5.50	6.00	175

CUSTOMER _____ PURCHASE ORDER NO. _____ SERVICE _____

PUMP SIZE _____ MATERIAL _____ ITEM _____

GPM _____ P.S.I. _____ RPM _____ MARKS _____

MOTOR MANUFACTURER _____ ENCLOSURE _____ MOTOR FEATURES _____

HP _____ VOLTS _____ PHASE _____ HERTZ _____

BY _____ DATE _____ CERTIFIED FOR APPROVAL CONSTRUCTION