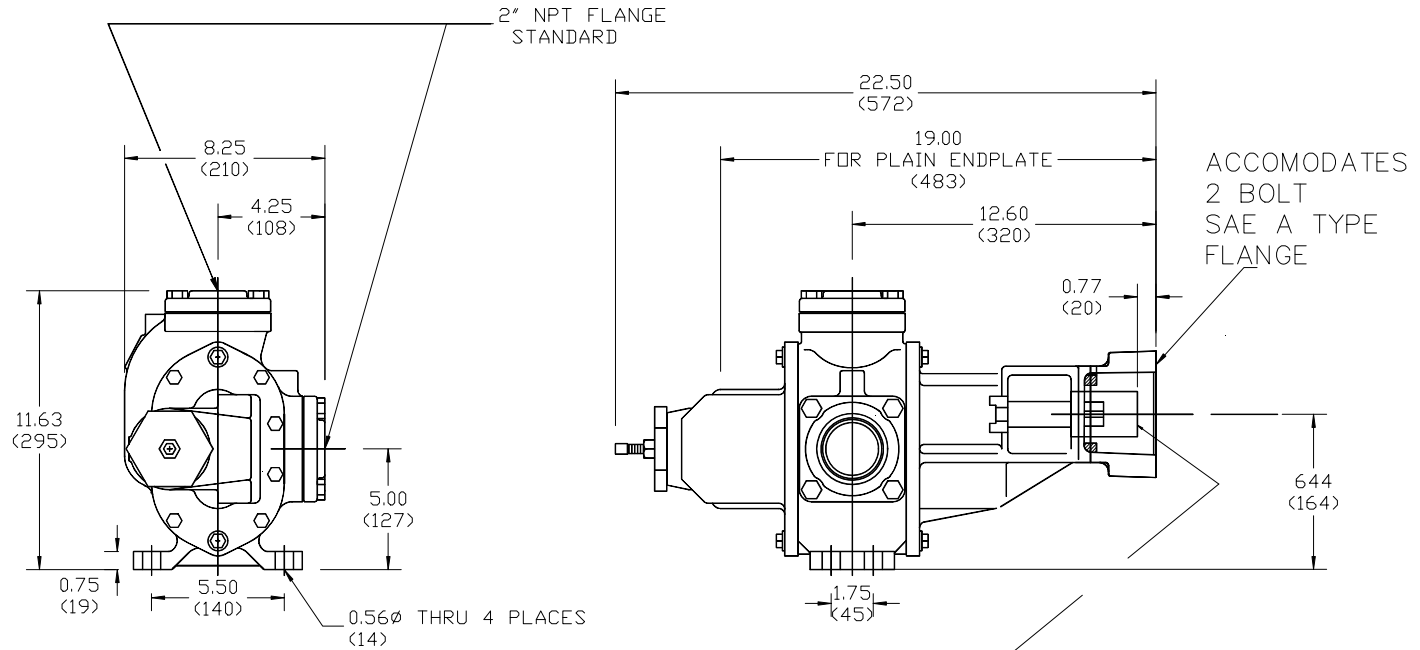


# RANGER Inc.



OPTION: 2 1/2" NPT FLANGE

1" I.D. X 1.4375 DEPTH  
STRAIGHT COUPLING  
1/4 SQ. X 1.4375 KW

SERIES 179F-179M HH, HHRV

XX.XX = DIM. IN INCHES  
(XXX) = DIM. IN mm

#