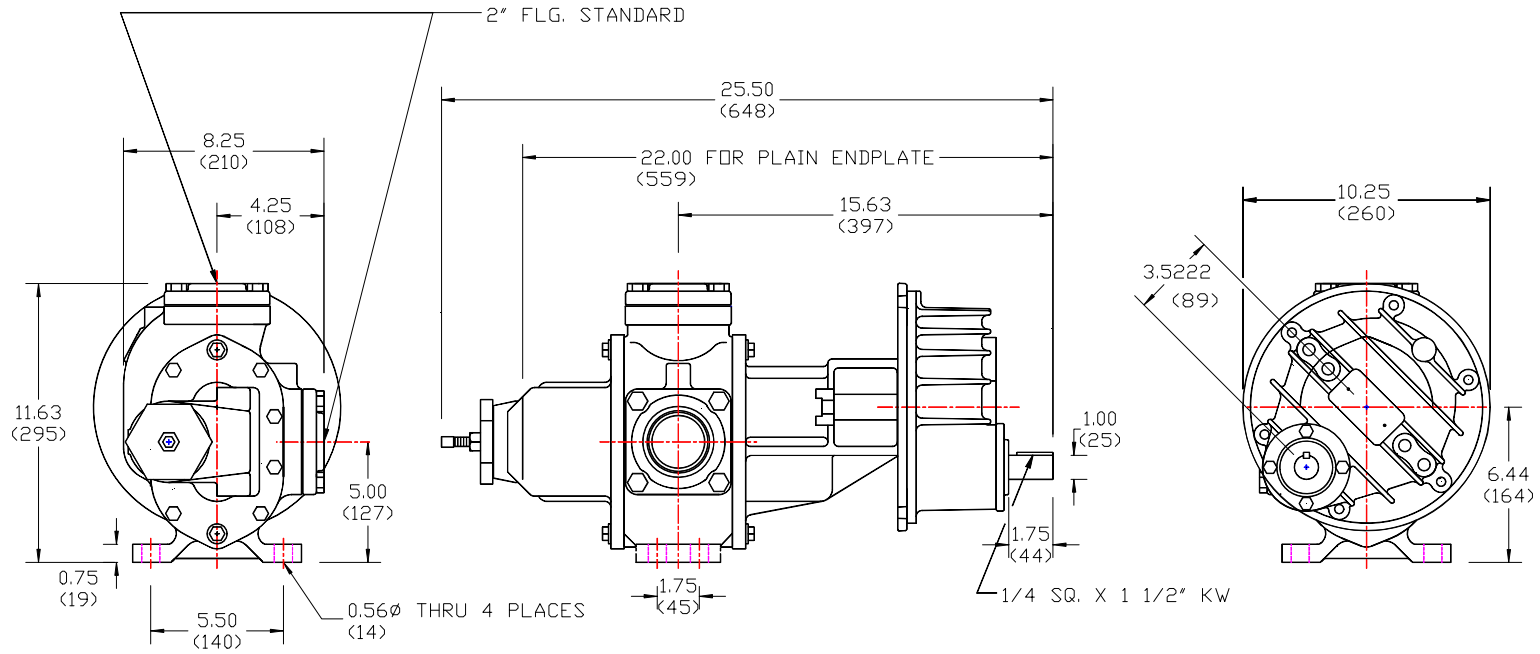


# RANGER Inc.



OPTION: 2 1/2" FLANGE

SERIES 179P-179M GBF, GBFRV

XX.XX = DIM. IN INCHES  
(XXX) = DIM. IN mm

#