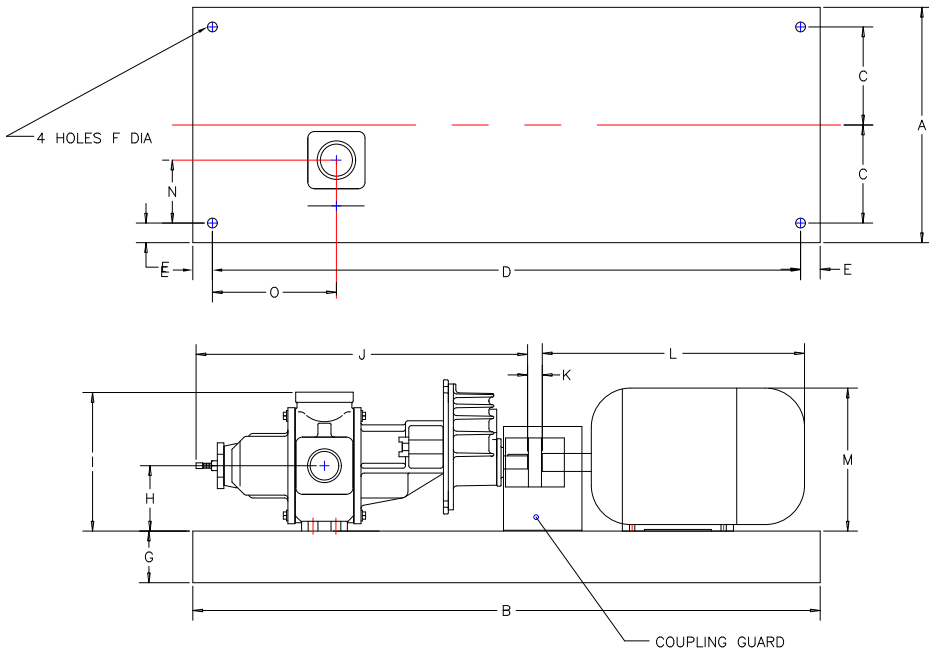


# RANGER SERIES 11, 179P - 11, 179M GBRV BASE MOUNTED PUMPS

BU-011030



ALL DIMENSIONS ARE IN INCHES

COUPLING GUARD

| PUMP SIZE | BASE NO. | MOTOR FRAME | A     | B     | C    | D     | E    | F    | G    | H    | I     | J     | K    | L     | M     | N    | O    | BASE, CPLG GRD WT LB |
|-----------|----------|-------------|-------|-------|------|-------|------|------|------|------|-------|-------|------|-------|-------|------|------|----------------------|
| 11        | B1       | 145T        | 15.00 | 40.00 | 6.00 | 37.00 | 1.50 | 0.63 | 3.40 | 5.00 | 11.00 | 25.50 | 1.00 | 12.69 | 7.38  | 4.38 | 8.63 | 118                  |
| 11        | B1       | 182T        | 15.00 | 40.00 | 6.00 | 37.00 | 1.50 | 0.63 | 3.40 | 5.00 | 11.00 | 25.50 | 1.00 | 15.19 | 9.38  | 4.38 | 7.50 | 118                  |
| 11        | B1       | 184T        | 15.00 | 40.00 | 6.00 | 37.00 | 1.50 | 0.63 | 3.40 | 5.00 | 11.00 | 25.50 | 1.13 | 16.19 | 9.38  | 4.38 | 7.00 | 118                  |
| 11        | C2       | 213T        | 18.00 | 48.00 | 7.50 | 45.00 | 1.50 | 0.75 | 4.00 | 5.00 | 11.00 | 25.50 | 1.13 | 18.56 | 10.94 | 4.63 | 9.50 | 175                  |
| 11        | C2       | 215T        | 18.00 | 48.00 | 7.50 | 45.00 | 1.50 | 0.75 | 4.00 | 5.00 | 11.00 | 25.50 | 1.13 | 18.56 | 10.94 | 4.63 | 9.00 | 175                  |
| 11        | C2       | 254T        | 18.00 | 48.00 | 7.50 | 45.00 | 1.50 | 0.75 | 4.00 | 5.00 | 11.00 | 25.50 | 1.13 | 23.25 | 12.94 | 4.63 | 7.75 | 175                  |
| 11        | C2       | 256T        | 18.00 | 48.00 | 7.50 | 45.00 | 1.50 | 0.75 | 4.00 | 5.00 | 11.00 | 25.50 | 1.13 | 25.00 | 12.94 | 4.63 | 6.75 | 175                  |
| 17        | B1       | 145T        | 15.00 | 40.00 | 6.00 | 37.00 | 1.50 | 0.63 | 3.40 | 5.00 | 11.00 | 25.50 | 1.00 | 12.69 | 7.38  | 4.38 | 8.63 | 118                  |
| 17        | B1       | 182T        | 15.00 | 40.00 | 6.00 | 37.00 | 1.50 | 0.63 | 3.40 | 5.00 | 11.00 | 25.50 | 1.00 | 15.19 | 9.38  | 4.38 | 7.50 | 118                  |
| 17        | B1       | 184T        | 15.00 | 40.00 | 6.00 | 37.00 | 1.50 | 0.63 | 3.40 | 5.00 | 11.00 | 25.50 | 1.13 | 16.19 | 9.38  | 4.38 | 7.00 | 118                  |
| 17        | C2       | 213T        | 18.00 | 48.00 | 7.50 | 45.00 | 1.50 | 0.75 | 4.00 | 5.00 | 11.00 | 25.50 | 1.13 | 18.56 | 10.94 | 4.63 | 9.50 | 175                  |
| 17        | C2       | 215T        | 18.00 | 48.00 | 7.50 | 45.00 | 1.50 | 0.75 | 4.00 | 5.00 | 11.00 | 25.50 | 1.13 | 18.56 | 10.94 | 4.63 | 9.00 | 175                  |
| 17        | C2       | 254T        | 18.00 | 48.00 | 7.50 | 45.00 | 1.50 | 0.75 | 4.00 | 5.00 | 11.00 | 25.50 | 1.13 | 23.25 | 12.94 | 4.63 | 7.75 | 175                  |
| 17        | C2       | 256T        | 18.00 | 48.00 | 7.50 | 45.00 | 1.50 | 0.75 | 4.00 | 5.00 | 11.00 | 25.50 | 1.13 | 25.00 | 12.94 | 4.63 | 6.75 | 175                  |

CUSTOMER \_\_\_\_\_ PURCHASE ORDER NO. \_\_\_\_\_ SERVICE \_\_\_\_\_

PUMP SIZE \_\_\_\_\_ MATERIAL \_\_\_\_\_ ITEM \_\_\_\_\_

GPM \_\_\_\_\_ P.S.I. \_\_\_\_\_ RPM \_\_\_\_\_ MARKS \_\_\_\_\_

MOTOR MANUFACTURER \_\_\_\_\_ ENCLOSURE \_\_\_\_\_ MOTOR FEATURES \_\_\_\_\_

HP \_\_\_\_\_ VOLTS \_\_\_\_\_ PHASE \_\_\_\_\_ HERTZ \_\_\_\_\_

BY \_\_\_\_\_ DATE \_\_\_\_\_ CERTIFIED FOR  APPROVAL  CONSTRUCTION